



Constructora Española de Maquinaria, S.A.

Renom

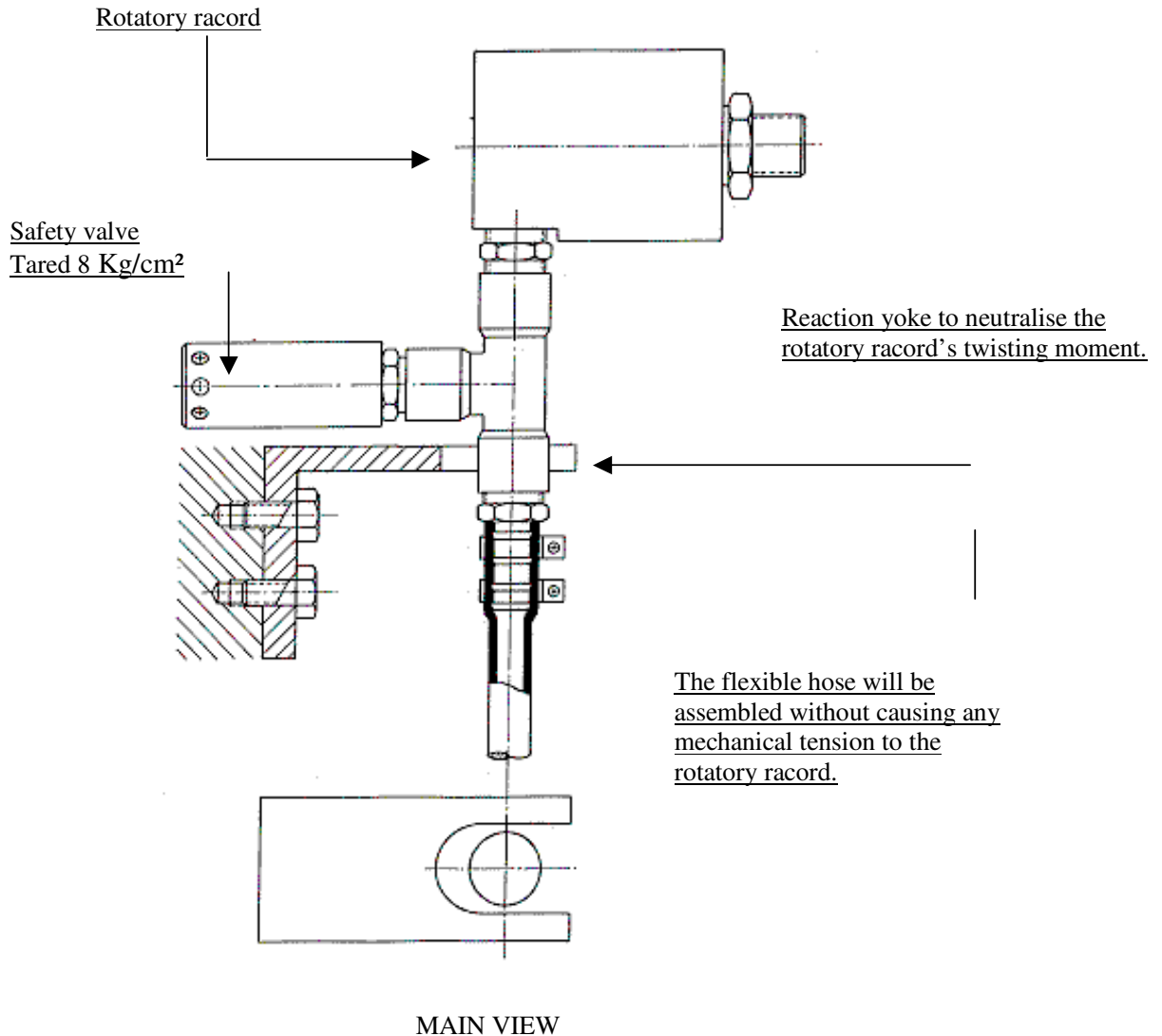
C.I.F. A-08-047.300

Ctra de Ribes, 50 - 08591 AIGUAFREDA (Barcelona)

Apdo. 1255 - Tef +34 93 844 00 00 y +34 93 844 22 44 - Fax: +34 93 844 21 12

<http://www.cemsa-renom.com> e-mail: info@cemsa-renom.com

**“ENDM” SERIES MULTIPLE DISCS NEUMATIC CLUTCH FOR DRY WORK
- AIR INTAKE -**

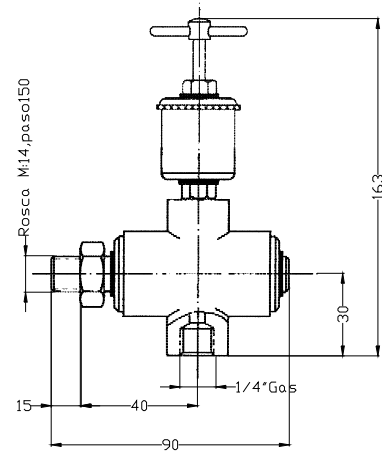




Constructora Española de Maquinaria, S.A.

Renom

C.I.F. A-08-047.300
Ctra de Ribes, 50 – 08591 AIGUAFREDA (Barcelona)
Apdo. 1255 – Tef +34 93 844 00 00 y +34 93 844 22 44 – Fax: +34 93 844 21 12
<http://www.cemsa-renom.com> e-mail: info@cemsa-renom.com



ROTATORY RACORD, REFERENCE 6296.

Racord with reference 6296 is suitable for 1/4 " air installations. This racord hasn't locking joints and the air obturation can be carried out by means of several circular and conveniently lubricated grooves found in the static part of the racord.

Racord's grease container will always have a generous amount, and the lubrication tap will be conveniently tight so that the movile and fix piece joint is lightly greased. Either the lack of grease or not keeping tight the tap may cause the racord to wore out quickly and this would imply air leaks

ROTATORY RACORD, REFERENCE 6584

This racord, which obturates by means of locking joints, is suitable for 1/2" air installations. As a protection measure it needs greasing every 150 work hours.

As an example we have included the safety valve installation and the reaction arm in this drawing, but it is often just the rotatory racord to be supplied.

No air leaks in the rotatory racords must be allowed

